

FANUC

Extremely flexible, slim and lightweight

Paint Robot P-40iA



**PURGED AND
PRESSURISED ARM**
FM AND ATEX CLASS DIV. 1
APPROVAL



**FOUR PROCESS
AIR PORTS**



IP 67 COMPATIBLE



ENCLOSED RISER
FOR CABLE CONNECTIONS
AND PURGE FLOW SWITCH



360 DEGREES ROTATION OF J1
ENABLES MULTI-
DIRECTIONS OPERATION



Flexible painter even in smallest work space

- compact arm design fits in small work areas
- offers a 1300mm reach and 5kg payload
- purged and pressurised arm is FM and ATEX Class Div. 1 approved
- enclosed riser for cable connections and purge flow switch
- high-speed operation minimises robot cycle times
- upright, invert, angle or wall mounting accommodates a wide range of work areas
- 360 degrees rotation of J1 enables multi-directions operation
- IP67 compatible rating allows operation in factory environments with dust and oil mist

WWW.FANUC.EU

P-40iA



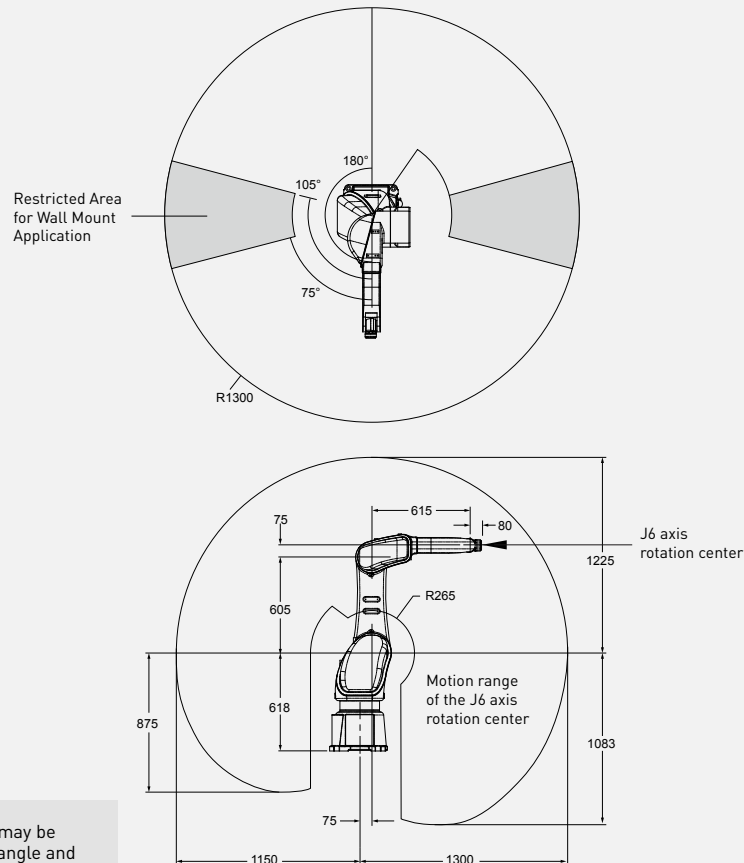
Max. load capacity
at wrist: **5 kg**



Max. reach:
1300 mm

Controlled axes	Repeatability (mm)	Mechanical weight (kg)	Motion range (°)						Maximum speed (°/s)						J4 Moment/ Inertia (Nm/kgm ²)	J5 Moment/ Inertia (Nm/kgm ²)	J6 Moment/ Inertia (Nm/kgm ²)
			J1	J2	J3	J4	J5	J6	J1	J2	J3	J4	J5	J6			
6	± 0.03	110	360	255	423	380	240	720	220	190	240	450	450	720	11.9/0.3	11.9/0.3	6.7/0.1

Working range



Motion range may be restricted for angle and wall mount!



Robot

	P-40iA
Robot footprint [mm]	340 x 355
Mounting position Floor	•
Mounting position Invert	•
Mounting position Wall	•
Mounting position Angle	•



Controller

	R-30iB Plus
Open air cabinet	-
Mate cabinet	•
A-cabinet	-
B-cabinet	-
iPendant	•
ISTP option	-

Electrical connections

Voltage 50/60Hz 3phase [V]	200-230
Voltage 50/60Hz 1phase [V]	-
Average power consumption [kW]	0.8

Integrated services

Integrated signals on upper arm In/Out	-
Integrated air supply	-

Environment

Acoustic noise level [dB]	
Ambient temperature [° C]	0-45

Protection

Hazardous location certification	*5
----------------------------------	----

*5) ATEX certified Cat. II Group 2G and 2D

• standard ◦ on request - not available [] with hardware and/or software option