

# M-10iD/10L (Hollow wrist)



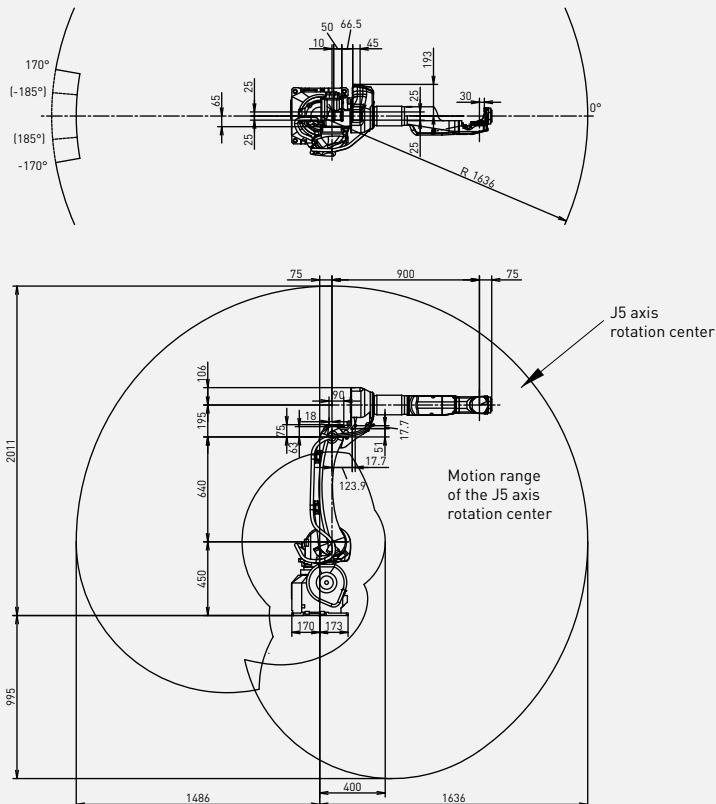
Max. load capacity  
at wrist: **10 kg**



Max. reach:  
**1636 mm**

| Controlled axes | Repeatability (mm) | Mechanical weight (kg) | Motion range (°) |     |     |     |                  |                  | Maximum speed (°/s) |     |     |     |     |     | J4 Moment/ Inertia (Nm/kgm <sup>2</sup> ) | J5 Moment/ Inertia (Nm/kgm <sup>2</sup> ) | J6 Moment/ Inertia (Nm/kgm <sup>2</sup> ) |
|-----------------|--------------------|------------------------|------------------|-----|-----|-----|------------------|------------------|---------------------|-----|-----|-----|-----|-----|---|---|---|
|                 |                    |                        | J1               | J2  | J3  | J4  | J5               | J6               | J1                  | J2  | J3  | J4  | J5  | J6  |   |   |   |
| 6               | ± 0.03*            | 150                    | 340<br>(370)     | 235 | 455 | 380 | 280<br>(360)*21) | 540<br>(900)*21) | 260                 | 240 | 260 | 430 | 450 | 720 | 22.0/0.65                                 | 22.0/0.65                                 | 9.8/0.17                                  |

## Working range



Motion range may be restricted according to the mounting angle!

## Robot

| Robot                         | M-10iD/10L |
|-------------------------------|------------|
| Robot footprint [mm]          | 343 x 343  |
| Mounting position Floor       | ●          |
| Mounting position Upside down | ●          |
| Mounting position Angle       | ●          |

## Controller

| Controller       | R-30iB Plus |
|------------------|-------------|
| Open air cabinet | -           |
| Mate cabinet     | ○           |
| A-cabinet        | ●           |
| B-cabinet        | ○           |
| iPendant Touch   | ●           |

## Electrical connections

|                                |         |
|--------------------------------|---------|
| Voltage 50/60Hz 3phase [V]     | 380-575 |
| Voltage 50/60Hz 1phase [V]     | -       |
| Average power consumption [kW] | 1       |

## Integrated services

|  |     |
|--|-----|
| Integrated signals on upper arm In/Out | 8/8 |
| Integrated air supply                  | 1   |

## Environment

|                           |      |
|---------------------------|------|
| Acoustic noise level [dB] | < 70 |
| Ambient temperature [° C] | 0-45 |

## Protection

|                                  |            |
|----------------------------------|------------|
| Body standard/optional           | IP54 /IP55 |
| Wrist & J3 arm standard/optional | IP67       |

\* 21) Extended range for external cable type

● standard ○ on request - not available ( ) with hardware and/or software option