

FANUC

Fast, strong and fully enclosed



SLIM ARM
FOR MORE FLEXIBILITY

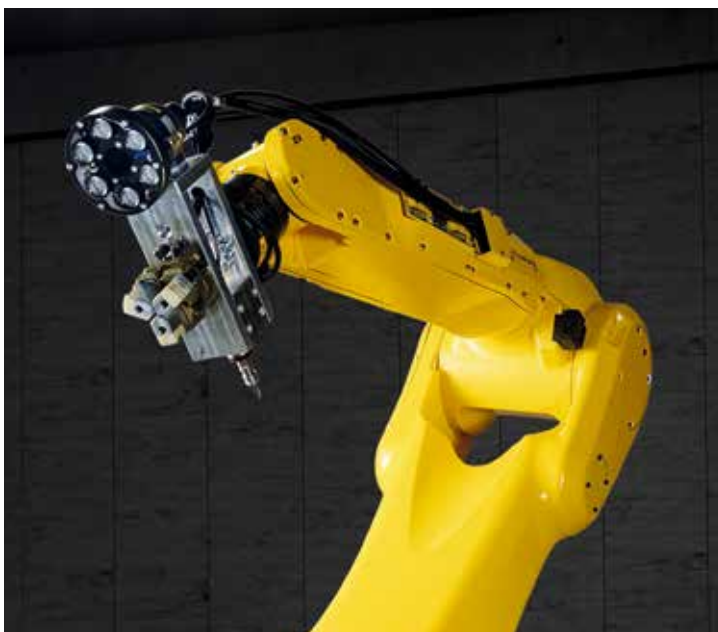


USER INTERFACE
INTEGRATED IN THE ARM



ENCLOSED CONSTRUCTION
NO EXPOSED CABLES
OR MOTORS

M-20iB/25



Flexibility whatever the environment:

- fully enclosed
- IP67 protection of axes 1-6 for harsh environments
- ideal for wet and dirty processes
- lightweight hollow upper arm
- wrist with advanced servo technology
- increased cycles and throughput

WWW.FANUC.EU

M-20iB/25



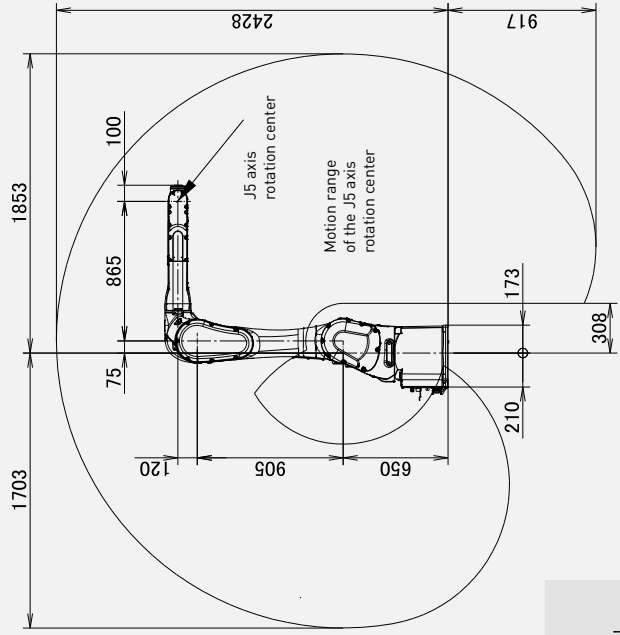
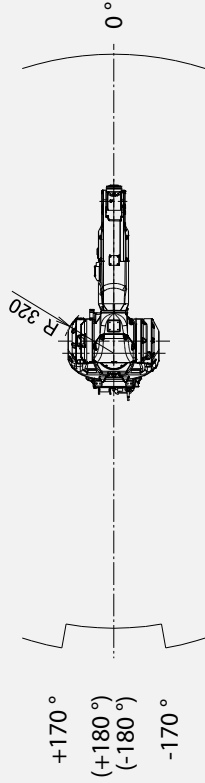
Max. load capacity
at wrist: **25 kg**



Max. reach:
1853 mm

Controlled axes	Repeatability (mm)	Mechanical weight (kg)	Motion range [°]						Maximum speed [°/s]						J4 Moment/Inertia (Nm/kgm ²)	J5 Moment/Inertia (Nm/kgm ²)	J6 Moment/Inertia (Nm/kgm ²)
			J1	J2	J3	J4	J5	J6	J1	J2	J3	J4	J5	J6			
6	± 0.02*	210	340(360)	240	303	400	290	540	205	205	260	415	415	880	51/2.2	51/2.2	31/1.2

Working range



Motion range may be restricted according to the mounting angle!

Robot

- Robot footprint [mm] **M-20iB/25**
383 x 343
 - Mounting position Floor
 - Mounting position Upside down
 - Mounting position Angle
- ## Controller
- Open air cabinet -
 - Mate cabinet ○
 - A-cabinet ●
 - B-cabinet ○
 - iPendant Touch ●
- ## R-30iB Plus

Electrical connections

- Voltage 50/60Hz 3phase [V] 380-575
- Voltage 50/60Hz 1phase [V] -
- Average power consumption [kW] 1

Integrated services

- Integrated signals on upper arm In/Out 8/2
- Integrated air supply 1

Environment

- Acoustic noise level [dB] < 70
- Ambient temperature [° C] 0-45

Protection

- Body standard/optional IP67
- Wrist & J3 arm standard/optional IP67