

# M-20iD/25 (Hollow wrist)



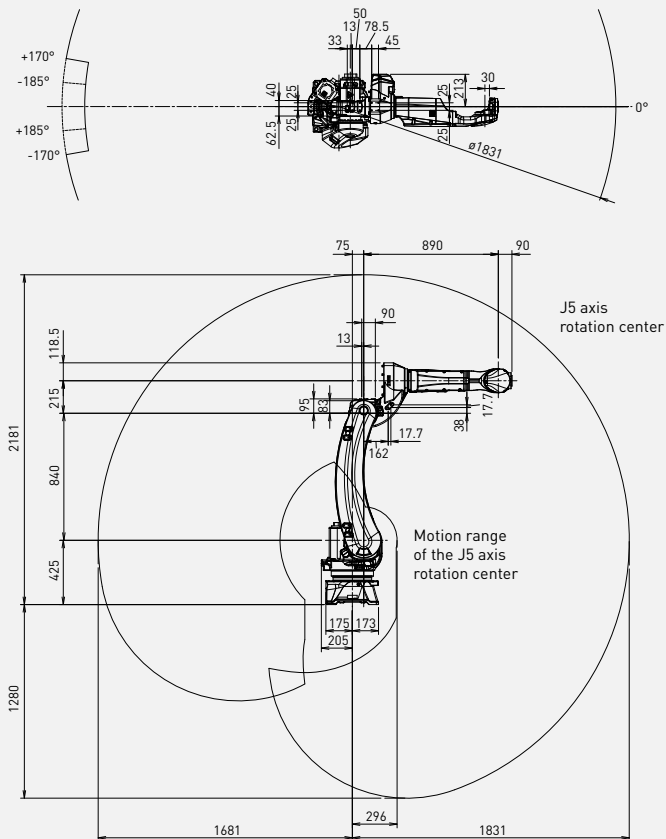
Max. load capacity  
at wrist: **25 kg**



Max. reach:  
**1831 mm**

Controlled axes	Repeatability (mm)	Mechanical weight (kg)	Motion range (°)							Maximum speed (°/s)							J4 Moment/ Inertia (Nm/kgm <sup>2</sup> )	J5 Moment/ Inertia (Nm/kgm <sup>2</sup> )	J6 Moment/ Inertia (Nm/kgm <sup>2</sup> )
			J1	J2	J3	J4	J5	J6	E1	J1	J2	J3	J4	J5	J6	E1			
6	± 0.02*	250	340 (370)	260	458	400	280 (360)*21)	540 (900)*21)	-	210	210	265	420	420	720	-	52.0/2.4	52.0/2.4	32.0/1.2

## Working range



Motion range may be restricted according to the mounting angle!

## Robot

Robot	M-20iD/25
Robot footprint [mm]	343 x 343
Mounting position Floor	●
Mounting position Upside down	●
Mounting position Angle	●

## Controller

Controller	R-30iB Plus
Open air cabinet	-
Mate cabinet	○
A-cabinet	●
B-cabinet	○
iPendant Touch	●

## Electrical connections

Voltage 50/60Hz 3phase [V]	380-575
Voltage 50/60Hz 1phase [V]	-
Average power consumption [kW]	1

## Integrated services

Integrated signals on upper arm In/Out	8/8
Integrated air supply	1

## Environment

Acoustic noise level [dB]	< 70
Ambient temperature [° C]	0-45

## Protection

Body standard/optional	IP54/IP65
Wrist & J3 arm standard/optional	IP67

\* 21) Extended range for external cable type

● standard ○ on request - not available ( ) with hardware and/or software option

\*Based on IS09283