

α-S300iB

Mechanical specifications



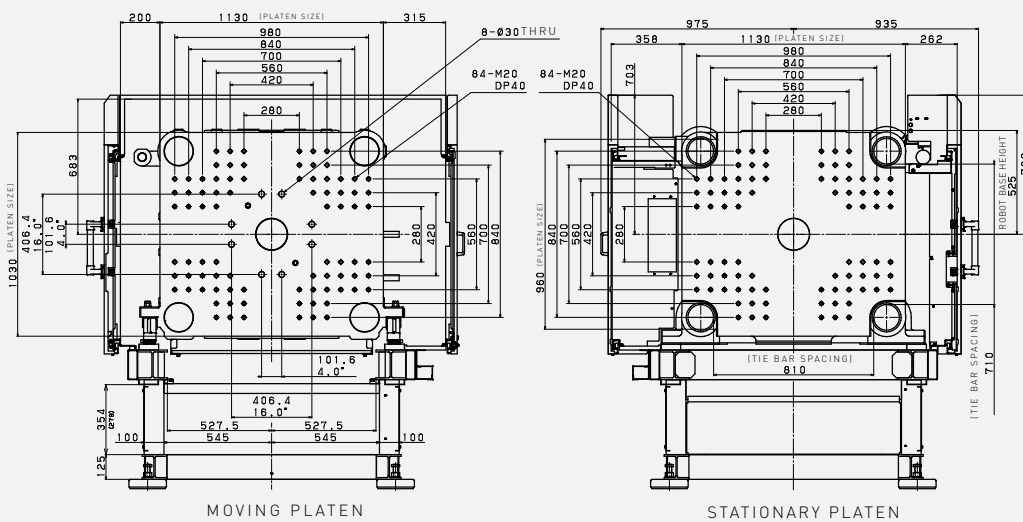
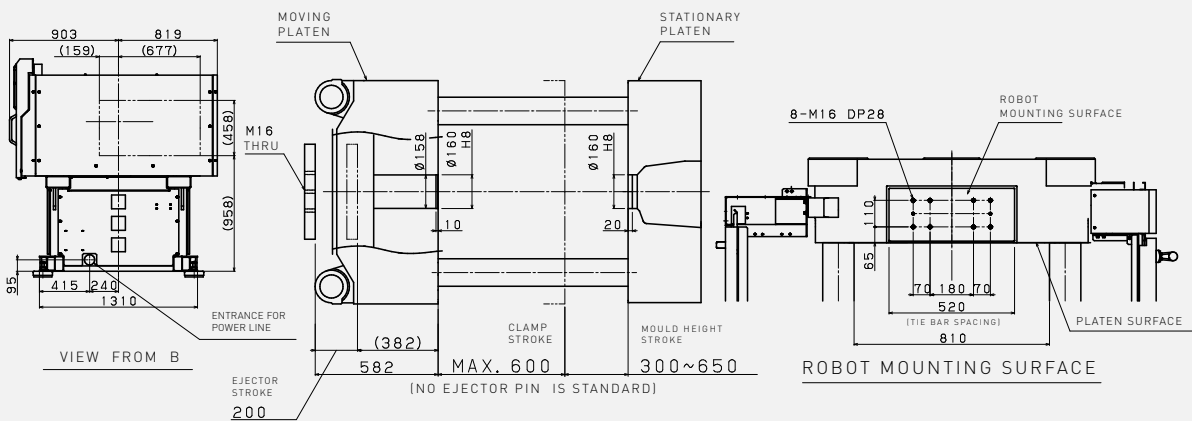
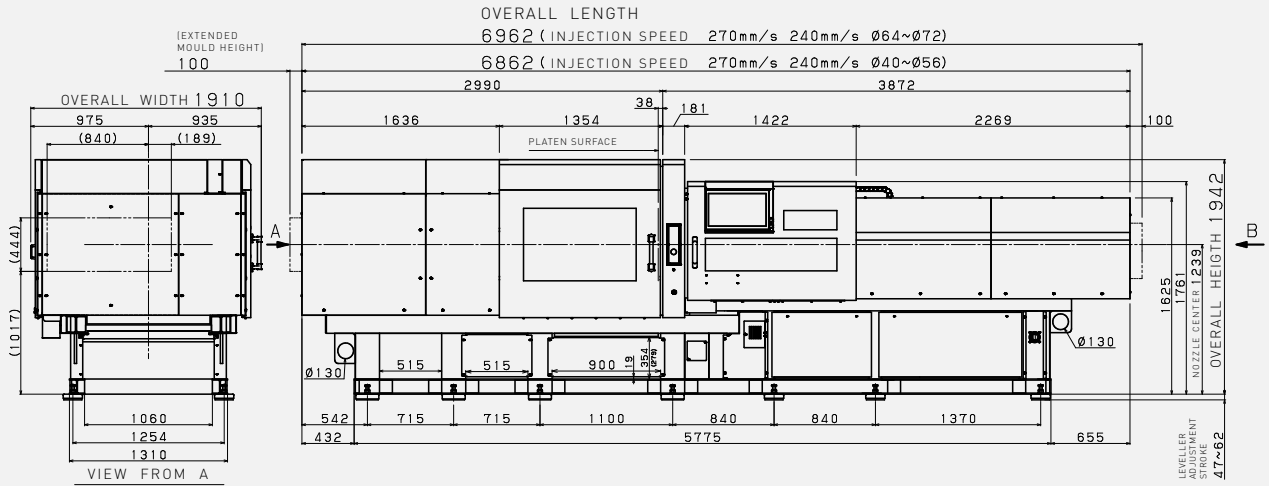
Clamping unit										
Clamping mechanism		Double toggle								
Tonnage	kN tonf	3000 300 / Increased (3500 350)								
Maximum and minimum die height Single platen	mm	650-300 / Increased (750-300)								
Clamping stroke	mm	600								
Locating ring diameter	mm	Ø 160								
Tie bar spacing, HxV	mm	810 x 710								
Platen size, HxV	mm	1130 x 1030								
Minimum mould size, HxV *1	mm	470 x 420								
Maximum mould weight Single platen (Moving-Stationary) *2	kg	2400-2400								
Ejector stroke	mm	200								
Maximum ejector force	kN tonf	80 8.0								
Injection unit										
Screw diameter	mm	40	44	48	52	56	64	68	72 *11	
Injection stroke	mm	150	176	176	208	260	260	260	260	
Max. injection volume	cm ³	188	268	318	442	640	836	944	1059	
Nozzle touch force *6	kN tonf	30 3.0 / Increased (50 5.0)								
Max. Injection Speed mm/s *4	mm/s	240 (high duty)								
Max. injection & Hold Pressure 1 *3*6	MPa	280	280	270	240	225	175	155	135	
Max. injection & Hold Pressure 2 *3*7	MPa	280	280	270	240	225	175	155	135	
Max. injection rate *4	cm ³ /s	301	364	434	509	591	772	871	977	
Max. screw rotation speed	min ⁻¹	400								
Machine weight Double platen Single platen *9	t	14.2								
Max. Injection Speed *4	mm/s	270								
Max. injection & Hold Pressure 1 *3*6	MPa	280	280	270	240	225	175	155	135	
Max. injection & Hold Pressure 2 *3*7	MPa	280	280	270	240	225	175	155	135	
Max. injection rate *4	cm ³ /s	339	410	488	573	665	868	980	1099	
Max. screw rotation speed	min ⁻¹	400								
Machine weight Double platen Single platen *9	t	14.2								
Screw and Barrel										
Number of heater zones	Barrel	3			4					
Number of pyrometers	Nozzle	1								
Total heater wattage	kW	16.5	17.9	19.7	21.2	23.9	27.2	27.2	26.6	

● standard - not available () with hardware and/or software option

- *1) Smaller mold than this size may limit clamp force.
- *2) If the weight of a mold exceeds maximum mold weight, the molding condition may be limited.
- *3) Maximum injection pressure and maximum hold pressure are the output of the injection unit, not the resin pressure.
 - Maximum injection pressure and maximum hold pressure are the maximum values that can be set.
- *4) Maximum injection rate and maximum injection speed is a theoretical value.
 - Maximum injection rate and maximum injection speed can not be guaranteed when the injection pressure is maximum.
- *5) The maximum injection pressure setting at high pressure filling mode option.
 - There is a limitation in injection time setting and pack time setting, when high pressure filling mode option is selected. (Contact sales for detail)
- *6) Maximum injection pressure 1 and maximum hold pressure 1 are the values when the wear-resistant and anti-corrosion cylinder etc. is installed.
 - Maximum injection pressure and maximum hold pressure may vary depends on the installed screw and cylinder specifications.
- *7) Maximum injection pressure 2 and maximum hold pressure 2 are the values when the general purpose cylinder etc. is installed.
 - Maximum injection pressure and maximum hold pressure may vary depends on the installed screw and cylinder specifications.
- *8) Sprue break cannot be used with increased nozzle touch force option.
- *9) The machine without option.
- *10) The pressure conversion is 1MPa=10kgf/cm².
- *11) The molding condition might be limited by the resin. (Contact sales for detail)
- *12) In case of the replacement to different screw diameter after shipment, some covers may be needed to replace. (Contact sales for detail)

α-S300iB

Dimensions / Clamp layout



In case of the tiebarbusless clamping specification is selected, this value is applied.