

# SR-3iA



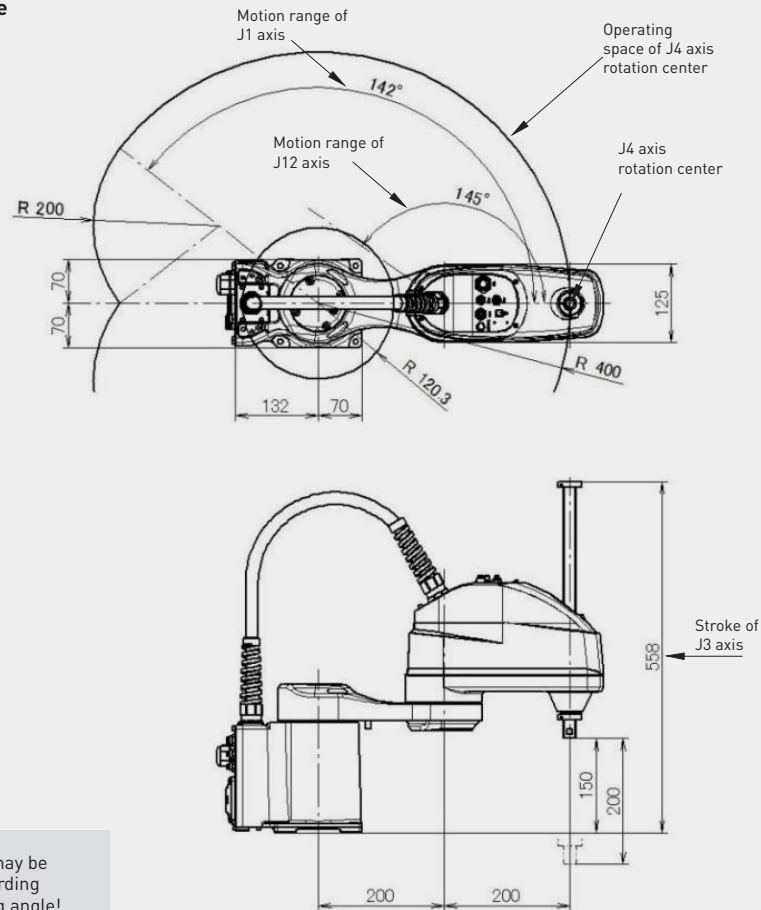
Max. load capacity  
at wrist: **3 kg**



Max. reach:  
**400 mm**

Controlled axes	Repeatability (mm)	Mechanical weight (kg)	Motion range (°)						Maximum speed (°/s)						J4 Inertia (kgm <sup>2</sup> )	J5 Inertia (kgm <sup>2</sup> )	J6 Inertia (kgm <sup>2</sup> )
			J1	J2	J3	J4	J5	J6	J1	J2	J3	J4	J5	J6			
4	± 0.01 (J1,J2, J3) ± 0.004 (J4)	19	284	290	200mm	1440	-	-	720	780	1800 mm/sec	3000	-	-	0.06	-	-

## Working range



Motion range may be restricted according to the mounting angle!



### Robot

	SR-3iA
Robot footprint [mm]	140 x 202 (341)
Mounting position Floor	●
Mounting position Ceiling	-
Mounting position Angle	-
Mounting position Wall	○



### Controller

	R-30iB Plus
Compact Plus	●
Open air cabinet	-
Mate cabinet	-
A-cabinet	-
B-cabinet	-
iPendant Touch	-

### Electrical connections

Voltage 50/60Hz 3phase [V]	-
Voltage 50/60Hz 1phase [V]	200-230
Average power consumption [kW]	0.25

### Integrated services

Integrated signals on upper arm In/Out	4/4
Integrated air supply	2
Integrated solenoid valve	2

### Environment

Acoustic noise level [dB]	<70
Ambient temperature [° C]	0-45

### Protection

Body standard/optional	IP20
Wrist & J3 arm standard/optional	IP20

### Auxiliary

Max. push-down force (Newton)	150
-------------------------------	-----