

LR Mate 200iD/14L



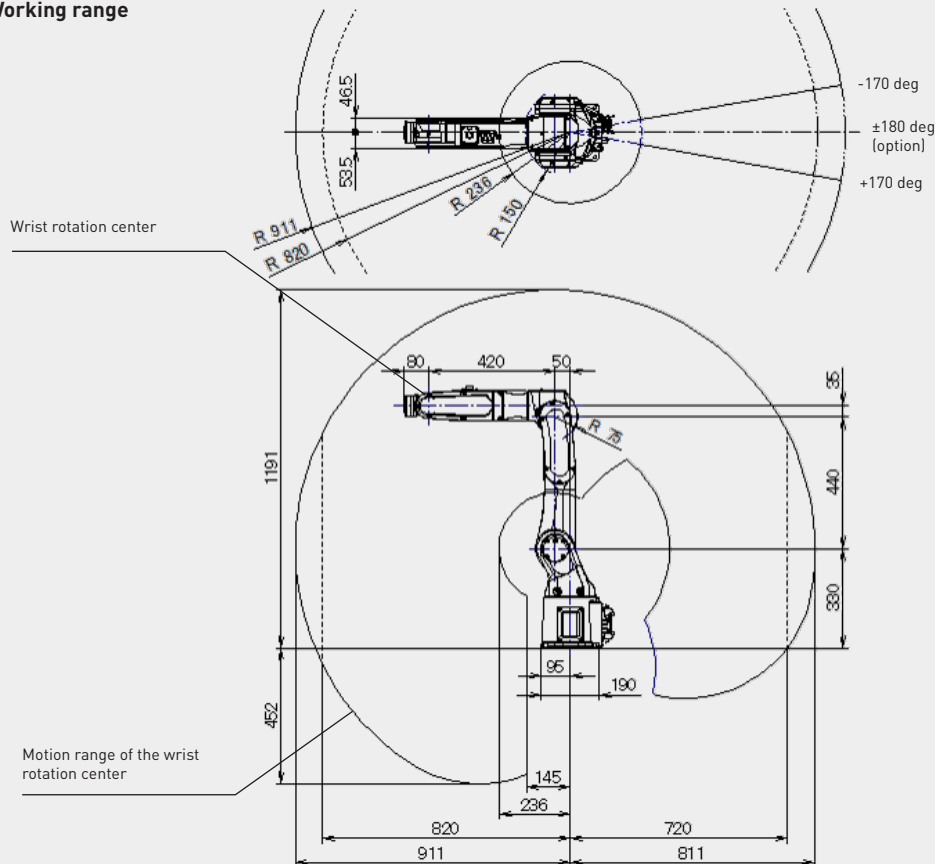
Max. load capacity
at wrist: **14 kg** *2



Max. reach:
911 mm

Controlled axes	Repeatability (mm)	Mechanical weight (kg)	Motion range (°)							Maximum speed (°/s) *1							J4 Moment/ Inertia (Nm/kgm ²)	J5 Moment/ Inertia (Nm/kgm ²)	J6 Moment/ Inertia (Nm/kgm ²)
			J1	J2	J3	J4	J5	J6	E1	J1	J2	J3	J4	J5	J6	E1			
6	± 0.01	27	360	245	430	380	250	720	-	120	61	58	400	240	400	-	31.0/0.66	31.0/0.66	13.4/0.30

Working range



*1 92 for /7LC

*2 In case of LR Mate 200iD/14L with 12kg load or more

Robot

	LR Mate 200iD/14L
Robot footprint [mm]	190 x 190
Mounting position Floor	●
Mounting position Upside down	●
Mounting position Angle	●

Controller

	R-30iB Plus
Open air cabinet	○
Mate cabinet	●
A-cabinet	-
B-cabinet	-
iPendant Touch	●

Electrical connections

Voltage 50/60Hz 3phase [V]	-
Voltage 50/60Hz 1phase [V]	200-230
Average power consumption [kW]	0.5

Integrated services

Integrated signals on upper arm In/Out	6/2
Integrated air supply	1

Environment

Acoustic noise level [dB]	64.7
Ambient temperature [° C]	0-45

Protection

Body standard/optional	IP67
Wrist & J3 arm standard/optional	IP67
Clean room [ISO Class 4]	-

*1) Max. linear speed 500 mm/sec

*2) Payload 14 kg up to 820mm / 12 kg up to 911mm

● standard ○ on request - not available () with hardware and/or software option

*Based on IS09283