

M-410iC/110

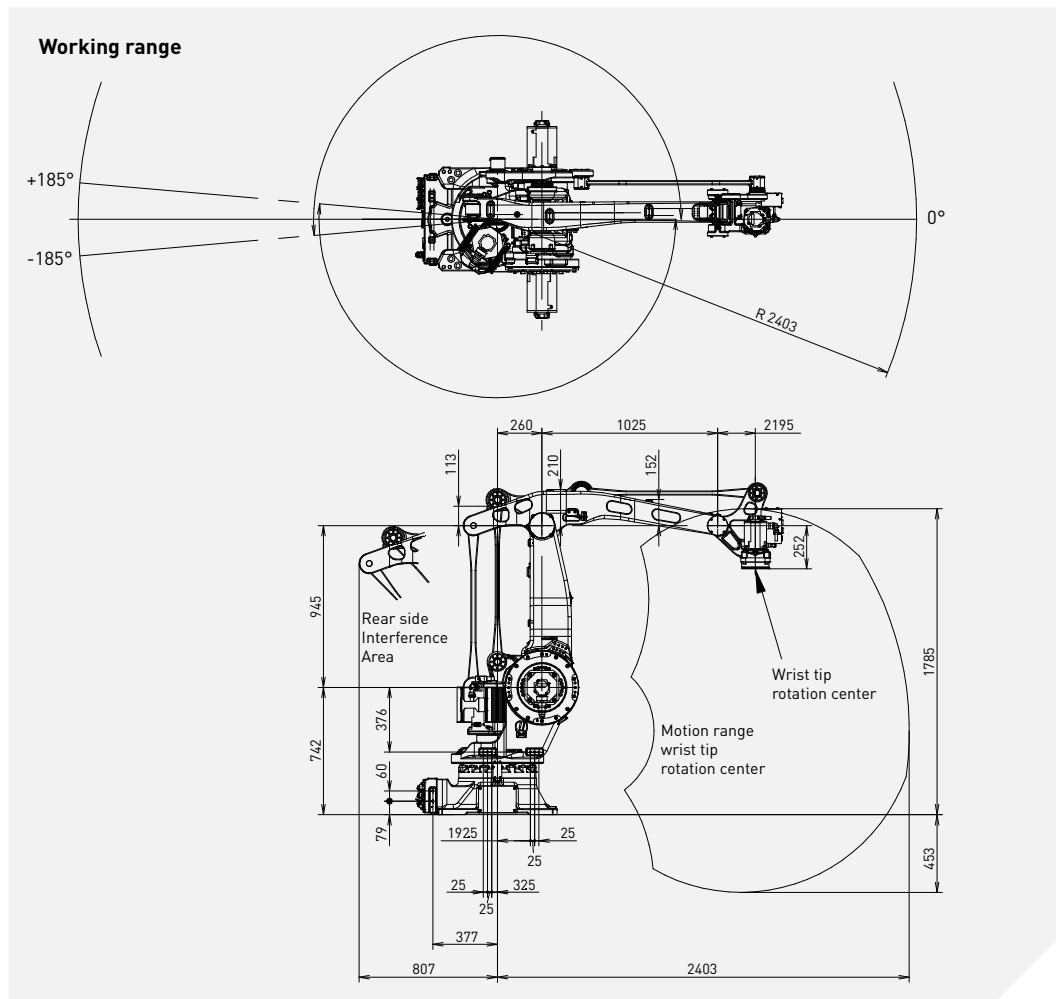


Max. load capacity
at wrist: **110 kg**



Max. reach:
2403 mm

Controlled axes	Repeatability (mm)	Mechanical weight (kg)	Motion range (°)						Maximum speed (°/s)						J4 Moment/Inertia (Nm/kgm ²)	J5 Moment/Inertia (Nm/kgm ²)	J6 Moment/Inertia (Nm/kgm ²)
			J1	J2	J3	J4	J5	J6	J1	J2	J3	J4	J5	J6			
4	± 0.05	1030	370	125	140	720	-	-	145	130	140	420	-	-	53	-	-



Robot

Robot	M-410iC/110
Robot footprint [mm]	761 x 610
Mounting position Floor	●
Mounting position Upside down	-
Mounting position Angle	-

Controller

Controller	R-30iB Plus
Open air cabinet	-
Mate cabinet	-
A-cabinet	●
B-cabinet	○
iPendant Touch	●

Electrical connections

Voltage 50/60Hz 3phase [V]	380-575
Voltage 50/60Hz 1phase [V]	-
Average power consumption [kW]	3

Integrated services

Integrated signals on upper arm In/Out	8/8
Integrated air supply	2

Environment

Acoustic noise level [dB]	75.3
Ambient temperature [° C]	0-45

Protection

Body standard/optional	IP54
Wrist & J3 arm standard/optional	IP54

Load Capacity

Max. load capacity at J2 base [Kg]	550
Max. load capacity at J3 arm [Kg] *	30

● standard ○ on request - not available () with hardware and/or software option

* payload capacity change when arm load is used