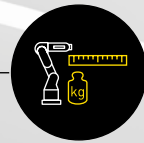


# Discover the new generation of the M-710 robot series

## M-710*iD*/50M



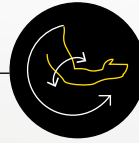
FULLY COVERED  
STRUCTURE



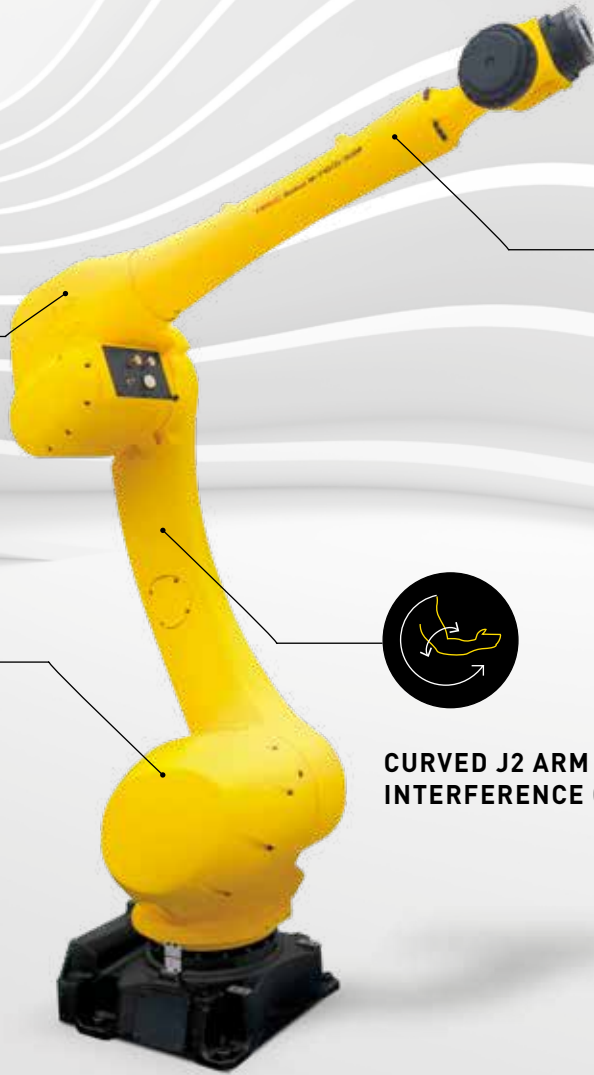
PAYLOAD: 50 KG  
REACH: 2606 MM



INCREASED PAYLOAD  
AND SPEED



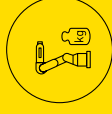
CURVED J2 ARM TO REDUCE  
INTERFERENCE CONTOURS



### The new *iD* generation

- Redesign with increased efficiency results in a curved J2 arm
- Optimised weight/payload ratio while maintaining the well-proven basic M-710 design
- Curved J2 swing minimises the interference, reducing the risk of collisions with surrounding obstacles
- Increased payload and load capacity as a clear added value with improved cost efficiency
- The fully enclosed design makes it resistant to water and dust, protecting all sensitive components (such as reducers, cables, etc.)

# M-710iD/50M

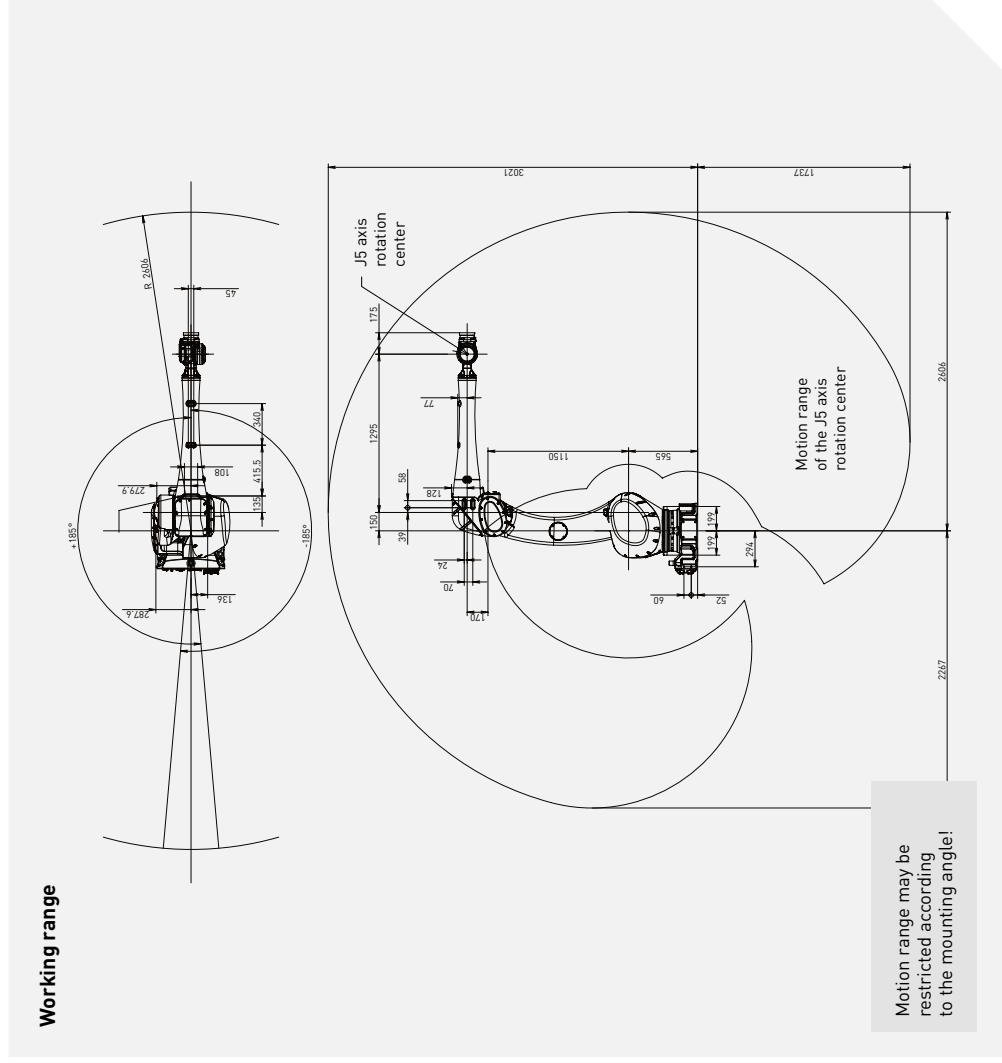


Max. load capacity  
at wrist: **50 kg**



Max. reach:  
**2606 mm**

Controlled axes	Repeatability (mm)	Mechanical weight (kg)	Motion range [°]						Maximum speed [°/s]						J4 Moment/Inertia (Nm/kgm <sup>2</sup> )	J5 Moment/Inertia (Nm/kgm <sup>2</sup> )	J6 Moment/Inertia (Nm/kgm <sup>2</sup> )	
			J1	J2	J3	J4	J5	J6	J1	J2	J3	J4	J5	J6				
6	± 0.06	600	370	225	440	800	800	250	800	180	180	180	260	260	370	215/30	215/30	130/20



## Robot

- Robot footprint [mm] ..... **M-710iD/50M**
- Mounting position Floor ..... 535 X 550
- Mounting position Upside down ..... ●
- Mounting position Angle ..... ●

## Controller

- Open air cabinet ..... -
- Mate cabinet ..... ○
- A-cabinet ..... ●
- B-cabinet ..... ○
- iPendant Touch ..... ●

## Electrical connections

- Voltage 50/60Hz 3phase [V] ..... 380-575
- Voltage 50/60Hz 1phase [V] ..... -
- Average power consumption [kW] ..... 2.5

## Integrated services

- Integrated signals on upper arm In/Out ..... 8/8
- Integrated air supply ..... 1

## Environment

- Acoustic noise level [dB] ..... 74.2
- Ambient temperature [° C] ..... 0-45

## Protection

- Body standard/optional ..... IP54/IP67
- Wrist & J3 arm standard/optional ..... IP67

● standard ○ on request - not available ( ) with hardware and/or software option

\*Based on ISO9283