

# Compact, fast and powerful

# FANUC



**INTEGRATED SERVICES**  
MOTOR, I/O AND  
COMPRESSED AIR  
SYSTEM INTEGRATED  
IN THE ARM



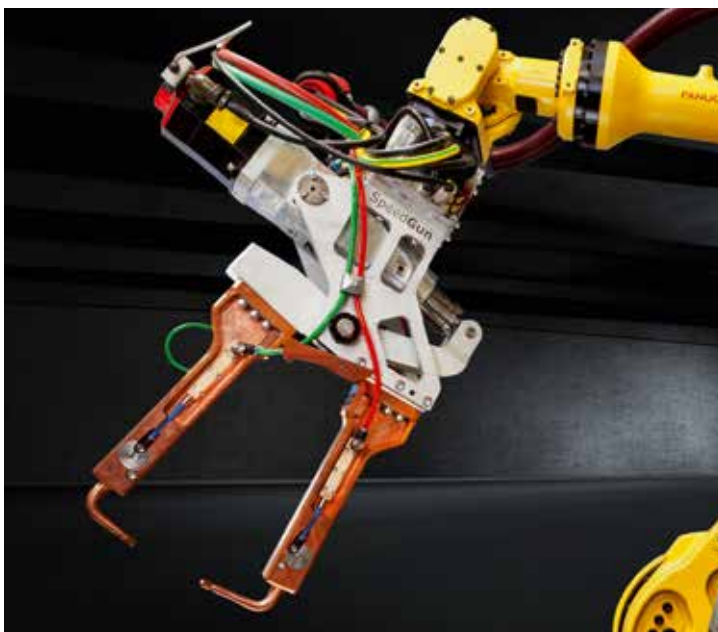
**STRONG ARM**  
130 KG MAX  
PAYLOAD



**POWERFUL AND STIFF**  
DESPITE ITS COMPACT,  
LIGHT DESIGN

**NEW**

**R-1000iA/130F**



### High payload in a small footprint:

- enhanced, compact mechanical construction for high payloads and short cycle times
- efficient light-weight design, minimum space requirements and mechanical stiffness
- highly suitable for spot welding and material handling
- enhanced payload capacity: 130 kg
- horizontal reach: 2230 mm, vertical reach: 3738 mm
- integrated services in the arm prevent snagging and interference

# R-1000iA/130F

Max. load capacity  
at wrist: **130 kg**

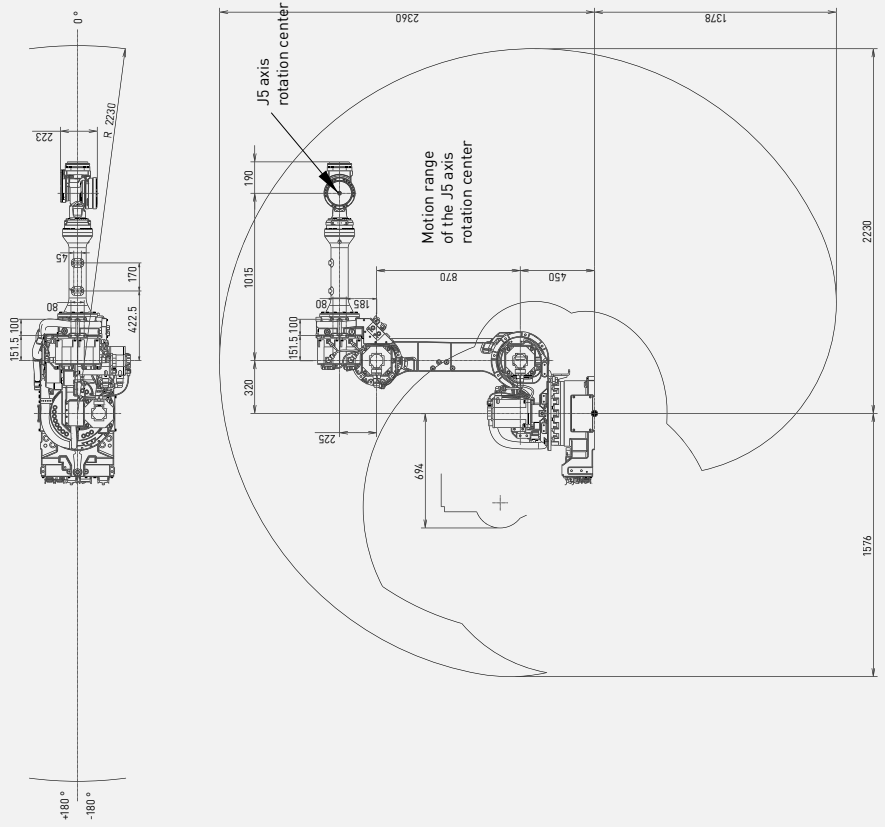


Max. reach:  
**2230 mm**



Controlled axes	Repeatability (mm)	Mechanical weight (kg)	Motion range [°]						Maximum speed [°/s]						J4 Moment/Inertia (Nm/kgm <sup>2</sup> )	J5 Moment/Inertia (Nm/kgm <sup>2</sup> )	J6 Moment/Inertia (Nm/kgm <sup>2</sup> )	
			J1	J2	J3	J4	J5	J6	J1	J2	J3	J4	J5	J6				
6	± 0.03*	675	360	245	360	720	720	250	720	130	110	120	170	170	250	800/71	800/71	360/38

## Working range



## Robot

Robot footprint [mm] ..... 605 X 450  
 Mounting position Floor ..... ●  
 Mounting position Upside down ..... ●  
 Mounting position Angle ..... -

## Controller

Open air cabinet .....  
 Mate cabinet ..... ○  
 A-cabinet ..... ●  
 B-cabinet ..... ○  
 iPendant Touch ..... ●

## Electrical connections

Voltage 50/60Hz 3phase [V] ..... 380-575  
 Voltage 50/60Hz 1phase [V] ..... -  
 Average power consumption [kW] ..... 3

## Integrated services

Integrated signals on upper arm In/Out ..... 8/8  
 Integrated air supply ..... 2

## Environment

Acoustic noise level [dB] ..... < 70  
 Ambient temperature [° C] ..... 0-45

## Protection

Body standard/optional ..... IP54/IP56  
 Wrist & J3 arm standard/optional ..... IP67