

# R-2000iC/270F



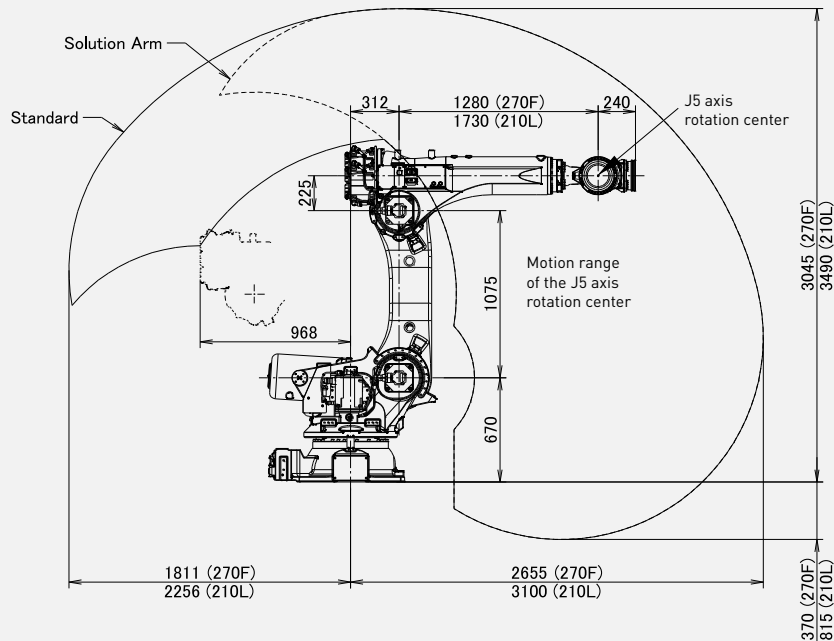
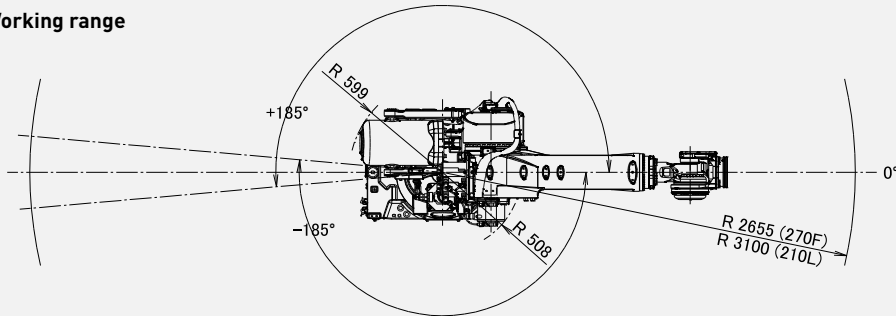
Max. load capacity  
at wrist: **270 kg**



Max. reach:  
**2655 mm**

Controlled axes	Repeatability (mm)	Mechanical weight (kg)	Motion range (°)						Maximum speed (°/s)						J4 Moment/ Inertia (Nm/kgm <sup>2</sup> )	J5 Moment/ Inertia (Nm/kgm <sup>2</sup> )	J6 Moment/ Inertia (Nm/kgm <sup>2</sup> )
			J1	J2	J3	J4	J5	J6	J1	J2	J3	J4	J5	J6			
6	± 0.05*	1320	370	136	312	720	250	720	105	90	85	120	120	200	1730/320	1730/320	900/230

## Working range



### Robot

### R-2000iC/270F

Robot footprint [mm]	771 X 610
Mounting position Floor	●
Mounting position Upside down	-
Mounting position Angle	-



### Controller

### R-30iB Plus

Open air cabinet	-
Mate cabinet	-
A-cabinet	●
B-cabinet	○
iPendant Touch	●

### Electrical connections

Voltage 50/60Hz 3phase [V]	380-575
Voltage 50/60Hz 1phase [V]	-
Average power consumption [kW]	2.5

### Integrated services

Integrated signals on upper arm In/Out	8/8
Integrated air supply	2

### Environment

Acoustic noise level [dB]	71.3
Ambient temperature [° C]	0-45

### Protection

Body standard/optional	IP54/IP56
Wrist & J3 arm standard/optional	IP67

● standard ○ on request - not available ( ) with hardware and/or software option

\*Based on ISO9283

# R-2000iC/270F (300 kg option)



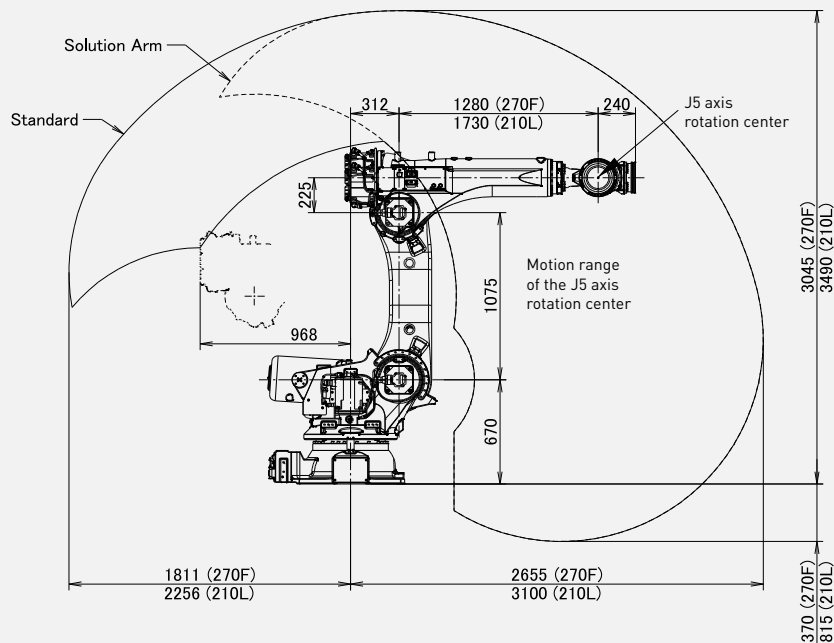
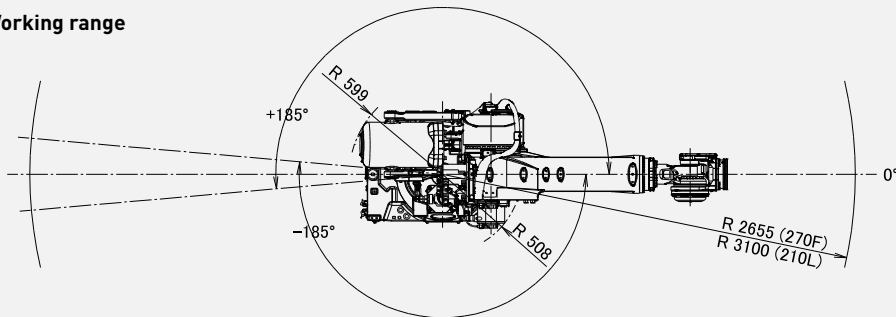
Max. load capacity  
at wrist: **300 kg**



Max. reach:  
**2655 mm**

Controlled axes	Repeatability (mm)	Mechanical weight (kg)	Motion range (°)						Maximum speed (°/s)						J4 Moment/ Inertia (Nm/kgm <sup>2</sup> )	J5 Moment/ Inertia (Nm/kgm <sup>2</sup> )	J6 Moment/ Inertia (Nm/kgm <sup>2</sup> )
			J1	J2	J3	J4	J5	J6	J1	J2	J3	J4	J5	J6			
6	± 0.05*	1320	370	136	312	720	250	720	100	90	85	120	120	190	1755/320	1755/320	1000/230

## Working range



### Robot

### R-2000iC/270F

Robot footprint [mm]	771 X 610
Mounting position Floor	●
Mounting position Upside down	-
Mounting position Angle	-



### Controller

### R-30iB Plus

Open air cabinet	-
Mate cabinet	-
A-cabinet	●
B-cabinet	○
iPendant Touch	●

### Electrical connections

Voltage 50/60Hz 3phase [V]	380-575
Voltage 50/60Hz 1phase [V]	-
Average power consumption [kW]	2.5

### Integrated services

Integrated signals on upper arm In/Out	8/8
Integrated air supply	2

### Environment

Acoustic noise level [dB]	71.3
Ambient temperature [° C]	0-45

### Protection

Body standard/optional	IP54/IP56
Wrist & J3 arm standard/optional	IP67

● standard ○ on request - not available ( ) with hardware and/or software option

\*Based on ISO9283