

SR-3iA/U



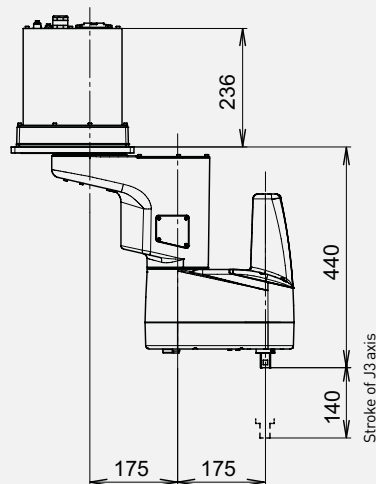
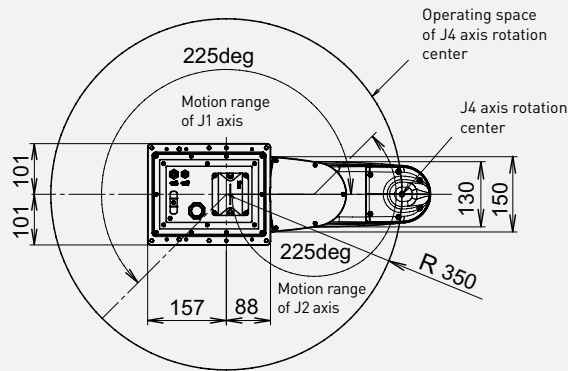
Max. load capacity
at wrist: **3 kg**



Max. reach:
350 mm

Controlled axes	Repeatability (mm)	Mechanical weight (kg)	Motion range (°)						Maximum speed (°/s)						J4 Inertia (kgm ²)	J5 Inertia (kgm ²)	J6 Inertia (kgm ²)
			J1	J2	J3	J4	J5	J6	J1	J2	J3	J4	J5	J6			
4	±0.01 (J1,J2), ±0.01 (J3), ±0.004° (J4)	27	450	450	140 mm	1440	-	-	610	840	1500 mm/sec	3000	-	-	0.06	-	-

Working range



Robot

Robot	SR-3iA/U
Robot footprint [mm]	202x245
Mounting position Floor	-
Mounting position Ceiling	•
Mounting position Angle	-
Mounting position Wall	-

Controller

Controller	R-30iB Plus
Compact Plus	•
Open air cabinet	-
Mate cabinet	-
A-cabinet	-
B-cabinet	-
iPendant Touch	-

Electrical connections

Voltage 50/60Hz 3phase [V]	-
Voltage 50/60Hz 1phase [V]	200-230
Average power consumption [kW]	0.25

Integrated services

Integrated signals on upper arm In/Out	4/4
Integrated air supply	2
Integrated solenoid valve	2

Environment

Acoustic noise level [dB]	< 70
Ambient temperature [° C]	0-45

Protection

Body standard/optional	IP20 / IP 65
Wrist & J3 arm standard/optional	IP20 / IP 65

Auxiliary

Max. push-down force (Newton)	150
Max. linear speed at TCP (mm/sec)	-
Cleanliness class	-

• standard ◦ on request - not available () with hardware and/or software option