

Compact design, to reach narrow spaces

M-10iD/16S



HIGH RIGIDITY

minimum vibration even with payload increased by 25% compared to predecessor



16 KG PAYLOAD
perfect for additional toolings



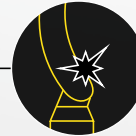
SLIM AND CURVED J2 ARM
to minimise interference



LARGE HOLLOW WRIST
and hollow arm



FULLY INTEGRATED CABLE MANAGEMENT
to eliminate interference



SMOOTH SURFACES
to minimise dust and dirt collection



Fast accurate handling for maximum productivity

- high productivity and precision thanks to higher rigidity
- compact and fully articulated to reach narrow spaces in machine tools or jigs
- ideal solution for compact production line installations
- easy installation and seamless fully integrated cable routing to eliminate interference from peripherals and work cell equipment
- intelligent maintenance schedule with FANUC Zero Downtime function that predicts mechanical and process equipment status

M-10iD/16S (Short arm, Hollow wrist)



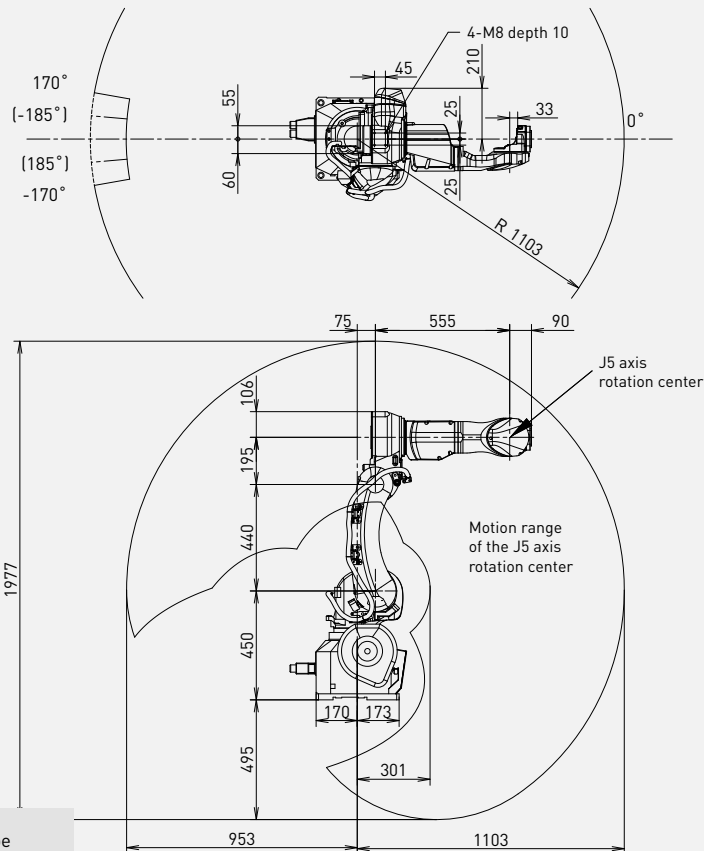
Max. load capacity
at wrist: **16 kg**



Max. reach:
1103 mm

Controlled axes	Repeatability (mm)	Mechanical weight (kg)	Motion range (°)						Maximum speed (°/s)						J4 Moment/ Inertia (Nm/kgm ²)	J5 Moment/ Inertia (Nm/kgm ²)	J6 Moment/ Inertia (Nm/kgm ²)
			J1	J2	J3	J4	J5	J6	J1	J2	J3	J4	J5	J6			
6	± 0.02*	140	340 (370)	235	340	380	280 (360)*21)	540 (900)*21)	290	270	270	430	450	730	26.0/0.90	26.0/0.90	11.0/0.30

Working range



Robot

Robot	M-10iD/16S
Robot footprint [mm]	343 x 343
Mounting position Floor	●
Mounting position Upside down	●
Mounting position Angle	●

Controller

Controller	R-30iB Plus
Open air cabinet	-
Mate cabinet	○
A-cabinet	●
B-cabinet	○
iPendant Touch	●

Electrical connections

Voltage 50/60Hz 3phase [V]	380-575
Voltage 50/60Hz 1phase [V]	-
Average power consumption [kW]	1

Integrated services

Integrated signals on upper arm In/Out	8/8
Integrated air supply	1

Environment

Acoustic noise level [dB]	<70
Ambient temperature [° C]	0-45

Protection

Body standard/optional	IP54 /IP65
Wrist & J3 arm standard/optional	IP67

* 21) Extended range for external cable type

● standard ○ on request - not available () with hardware and/or software option

*Based on ISO9283