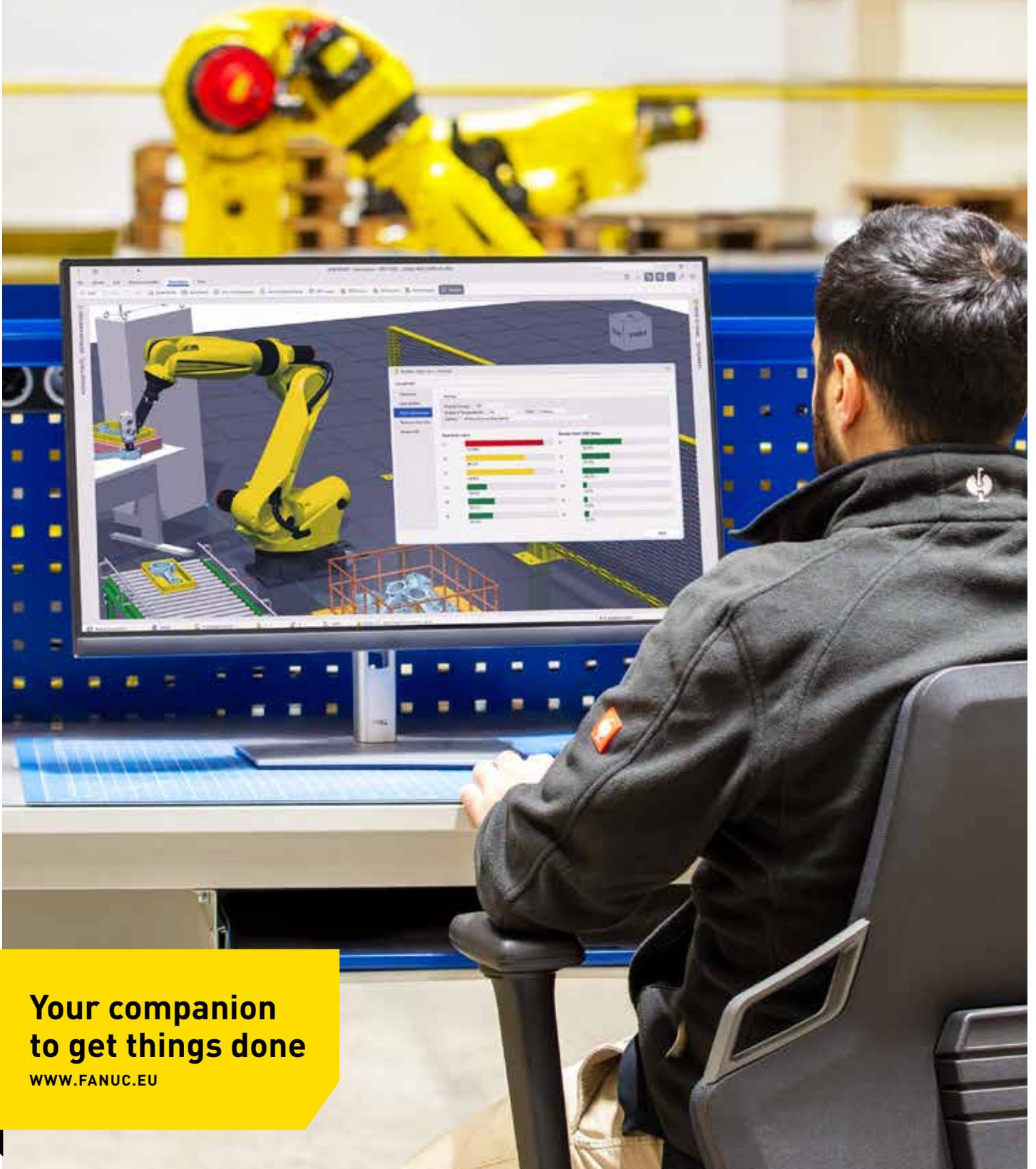


THE FACTORY AUTOMATION COMPANY

FANUC

ROBOGUIDE

3D robot simulation



**Your companion
to get things done**

WWW.FANUC.EU

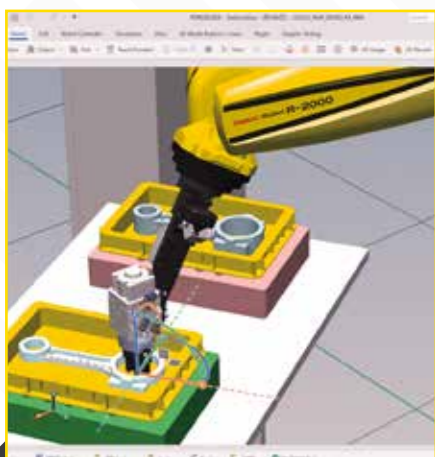
EFFICIENCY DREAMS COME TRUE

INDUSTRY 4.0 INTELLIGENT IDEAS FOR SMART FACTORIES

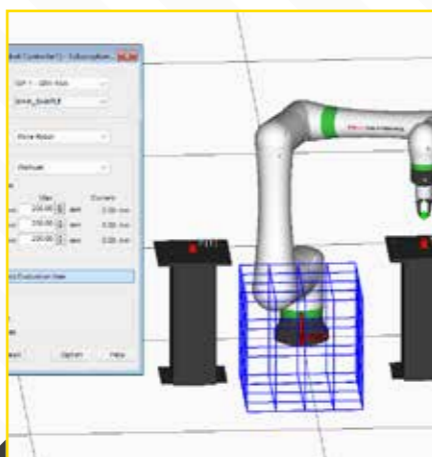
FANUC ROBOGUIDE is an offline simulation package that simulates both the robot's motion and application commands, significantly reducing the time it takes to create new motion setups.

ROBOGUIDE features an integrated Robot controller for precise validation of positions and motion, ensuring your simulations are as accurate as real operations. The Virtual Teach Pendant offers a realistic programming environment, mirroring the functionality of a real Teach Pendant. With Ethernet connectivity, you can quickly upload and download programs and settings to real robots.

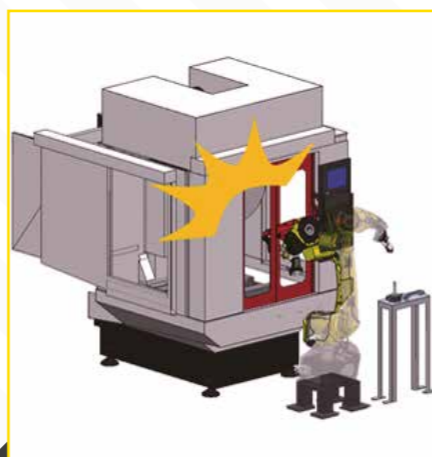
ROBOGUIDE's programme verification tools allow for performance and reach checks, collision detection, accurate cycle time estimates, and visual system simulations. Detailed Help and 'How To' Guides are included to ensure a successful start.



Improve and refine cell layouts and programmes while production continues, avoiding downtime and lost production.



Optimise layout and cycle by determining robot capabilities and validating workcell timing within the process verification.



Build and test complex systems like auxiliary axis and multi-group machines.



Reproduce and solve errors easily by loading an All of Above Backup into ROBOGUIDE.



Record the simulation of the robot system for later presentation and/or proposal uses in VR.



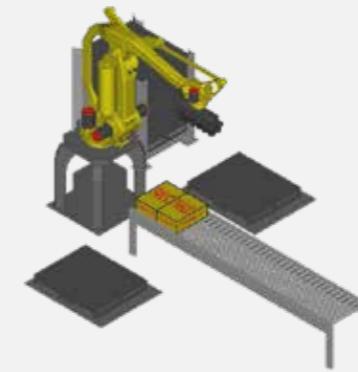
Pre-program robots by starting programming before installation, confirming trajectories, and validating DCS zones before downloading them to the real robot.

From design to confirmation

Highly accurate interface & specific tools

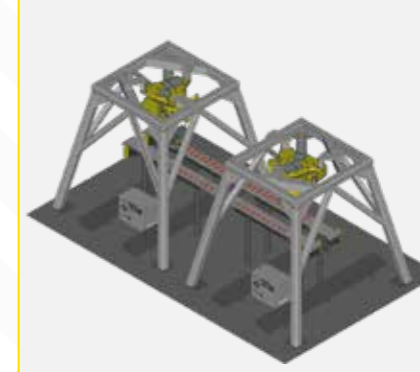
With the on board CAD library you have complete access to all FANUC Robots, Machines and simple tooling. The robot simulation and profiler function contains a full package of process verification details including motion, cycle time validation as well as collision detection and avoidance. It is also available with dedicated tools for specific applications.

ROBOGUIDE PLUG-INS



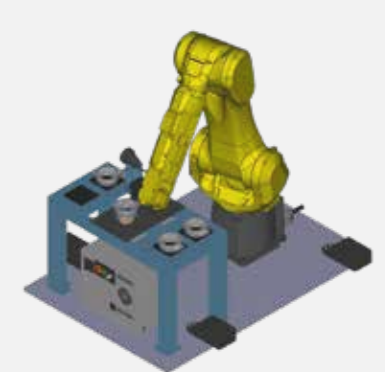
PalletPRO

PalletPRO simulation software offers you a practical solution for building, debugging, and testing palletising applications offline. It allows you to create a workcell layout, infeed and pallet stations, slip sheet and pallet dispensers. Utilise the extensive built-in library of industry-standard patterns to create and visualise hundreds of unit loads in 3D. Plus, the data you generate in PalletPRO can be seamlessly downloaded to a real robot controller equipped with PalletTool software, bridging the gap between simulation and real-world execution.



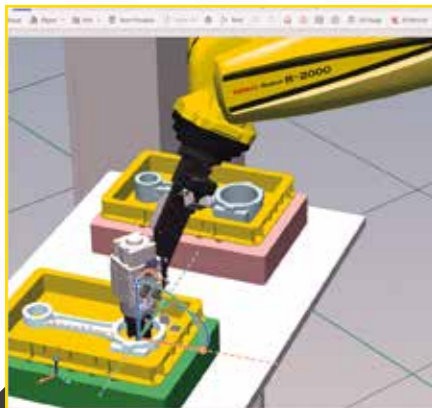
iRPickPRO

iRPickPRO simulates high-speed pick and place applications with high levels of precision and efficiency. This advanced plug-in enables you to accurately model and test complex picking scenarios in a virtual environment.



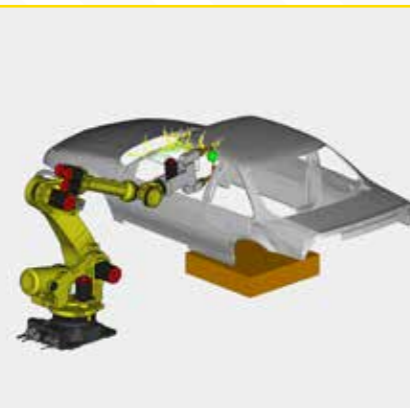
ChamferingPRO

ChamferingPRO is an optimised plug-in for deburring applications. It provides an easy to use function based on the cad to path function. With the function of TP modify with vision snapshot and force control deburring package it can achieve a high level of automatic path generation.



HandlingPRO

As standard included HandlingPRO allows you to simulate and test material handling processes and to conduct feasibility studies for robotic applications, eliminating the need and cost of a physical prototype work cell setup. It's suitable for tasks like load/unload, packaging, assembly, and material removal. Key features include conveyor line tracking, machine modeling and programming as well as easy handling of CAD to ensure streamlined operations across various industrial applications.



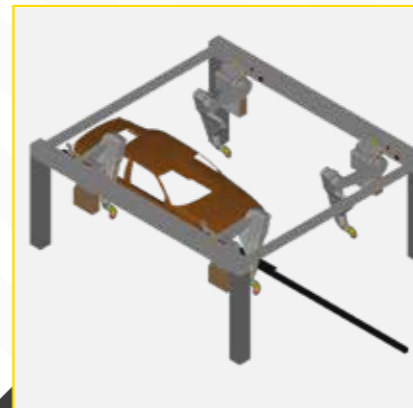
SpotPRO

SpotPRO is a functional plugin for spot welding applications. It features an easy to use feature assistant to import huge numbers of spot points from CAD or list as well as to balance the task distribution between multiple robots while avoiding colliders at the same time.



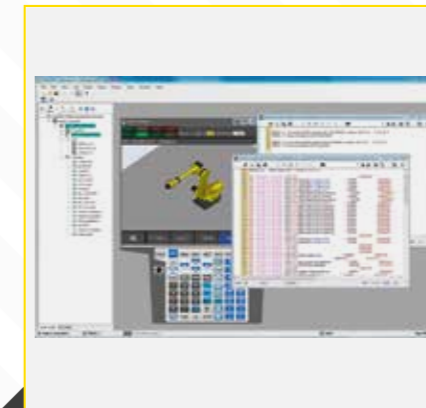
WeldPRO

WeldPRO is a simulation tool that revolutionises the way you approach welding processes. With its CAD to Path programming capability, WeldPRO enables you to automatically generate coordinated motion programs for multiple robot groups, complete with defined torch angles and process parameters. This powerful software not only streamlines program creation but also allows you to transfer these settings from the virtual workcell directly to the real robot, significantly reducing installation time.



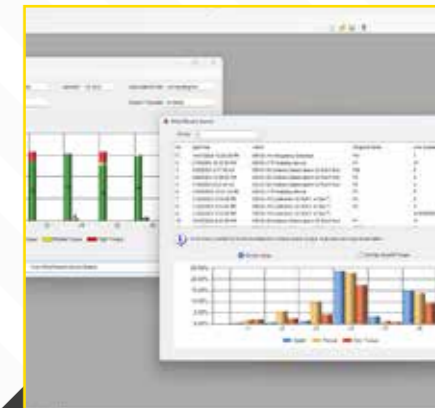
PaintPRO

PaintPRO is your offline solution for simplifying robotic path teaching and paint process development. As an operator, you can effortlessly generate robot programmes by selecting the part's area to be painted and choosing from a variety of painting methods. PaintPRO offers specialised features for configuring paint gun displacement, spray size, overlap, paint pattern, speed, and gun trigger timing, ensuring precision and efficiency in your painting projects.



OLPCPRO

Robot program development software that supports the development and maintenance of KAREL and Teach Pendant Programming.



DiagnosticsPRO

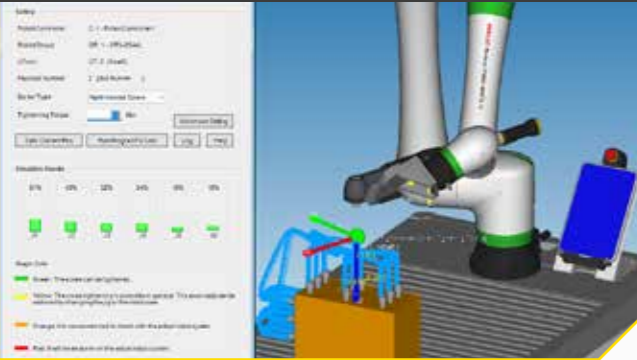
DiagnosticsPRO is a revolutionary PC software tool that connects to FANUC robots on the floor via Ethernet to provide troubleshooting and diagnostics capability.

ROBOGUIDE Advanced Software Options

ROBOGUIDE's advanced software options will make your operations more efficient. See below for a selection of our enhanced software options.

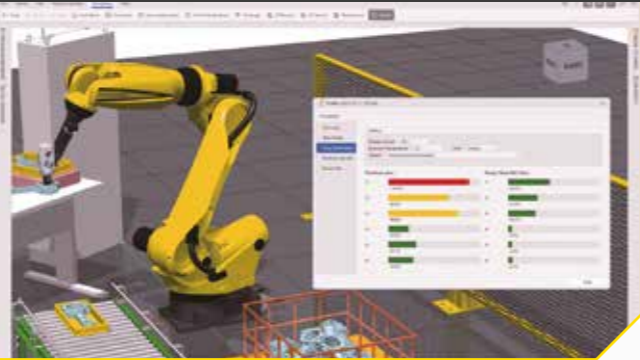
FANUC ROBOGUIDE SCREW TIGHTENING SIMULATION

Estimate the load and duty on each axis based on the posture when operating the screwdriver.



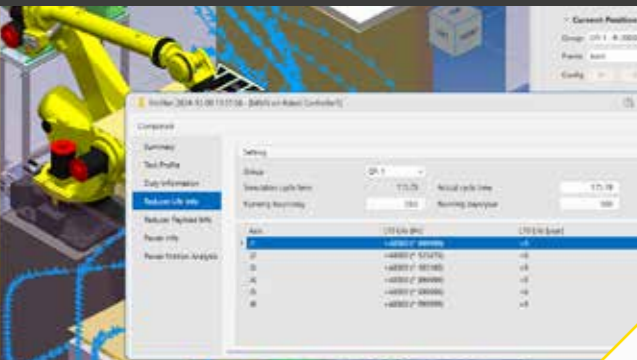
FANUC ROBOGUIDE DUTY ESTIMATION PC OPTION

Programme with less load by analysing the robot load in advance.



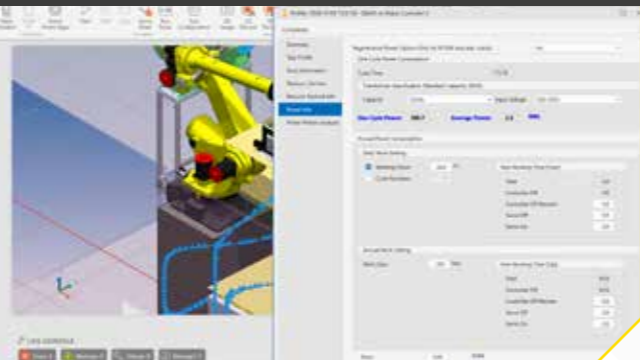
FANUC ROBOGUIDE LIFE ESTIMATION PC OPTION

Reduce maintenance costs by estimating the lifespan of your robot's gearbox.



FANUC ROBOGUIDE POWER CONSUMPTION ESTIMATION PC OPTION

Save energy by estimating the robot power consumption.



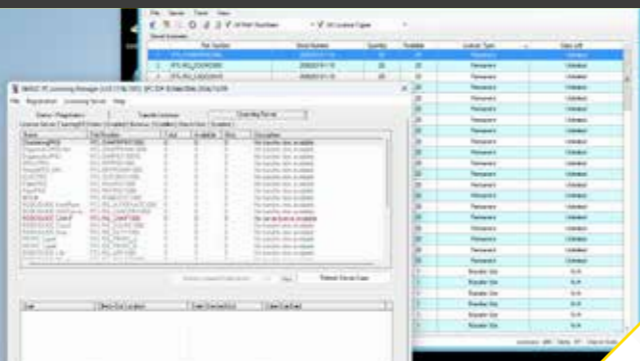
FANUC ROBOGUIDE COORDINATE PC OPTION

Easily setup the coordinate motion in ROBOGUIDE.



FANUC ROBOGUIDE SERVER LICENSE

Manage all licences on a local server for distribution to clients on demand.



ROBOGUIDE Packages

ROBOGUIDE offers the perfect package for your needs.

**TEST
ROBOGUIDE
NOW!**

FANUC ROBOGUIDE Standard

The ROBOGUIDE Standard Package comes with the plug-in HandlingPRO as standard to simulate and test general robot application and material handling processes.

FANUC ROBOGUIDE Standard is also available as a 1-year subscription package.

FANUC ROBOGUIDE Motion optimization package

Maximise robot efficiency and accuracy by optimising motion paths. This package combines the ROBOGUIDE MotionPRO plug-in with essential software options to effortlessly simulate and tune robot motions in a virtual environment.

- ROBOGUIDE Standard ✓
- FANUC ROBOGUIDE Duty Estimation PC Option ✓
- FANUC ROBOGUIDE Life Estimation PC Option ✓
- FANUC ROBOGUIDE Power Consumption Estimation PC Option ✓
- FANUC ROBOGUIDE MotionPRO ✓

FANUC ROBOGUIDE Academic package

This package is tailor-made for educational institutions. It provides students and educators with the most powerful tools to learn and teach robotics. It combines the most common ROBOGUIDE plug-ins, HandlingPRO and WeldPRO, with the most useful software options.

- ROBOGUIDE Standard ✓
- FANUC ROBOGUIDE HandlingPRO ✓
- FANUC ROBOGUIDE WeldPRO ✓
- FANUC ROBOGUIDE Coordinate PC Option ✓



Rely on FANUC for unparalleled expertise in ROBOGUIDE 3D simulation, built on over 22 years of continuous improvement and updates.

Contact your local FANUC office now to experience the ROBOGUIDE difference for yourself!

One common servo and control platform – Infinite opportunities THAT'S FANUC!



FA

CNCs,
Servo Motors
and Lasers

ROBOTS

Industrial Robots,
Accessories
and Software

ROBOCUT

CNC Wire-Cut
Electric Discharge
Machines

ROBODRILL

Compact
CNC Machining
Centres

ROBOSHOT

Electric CNC
Injection Moulding
Machines

IoT

Industry 4.0
solutions