

THE FACTORY AUTOMATION COMPANY

FANUC

Ultimate reach, fast precision handling

M-10iD/10L



LONG ARM
for longer reach to
work on bigger
workpieces and
cover a wider area



**LARGE
HOLLOW WRIST
and hollow arm**



**FULLY INTEGRATED
CABLE MANAGEMENT**
to eliminate interference



SLIM AND CURVED J2 ARM
to minimise interference



SMOOTH SURFACES
to minimise dust
and dirt collection



Fast accurate handling for maximum productivity

- high productivity and precision thanks to higher rigidity
- compact and fully articulated to reach narrow spaces in machine tools or jigs
- ideal solution for compact production line installations
- easy installation and seamless fully integrated cable routing to eliminate interference from peripherals and work cell equipment
- intelligent maintenance schedule with FANUC Zero Downtime function that predicts mechanical and process equipment status

WWW.FANUC.EU

M-10iD/10L (Hollow wrist)



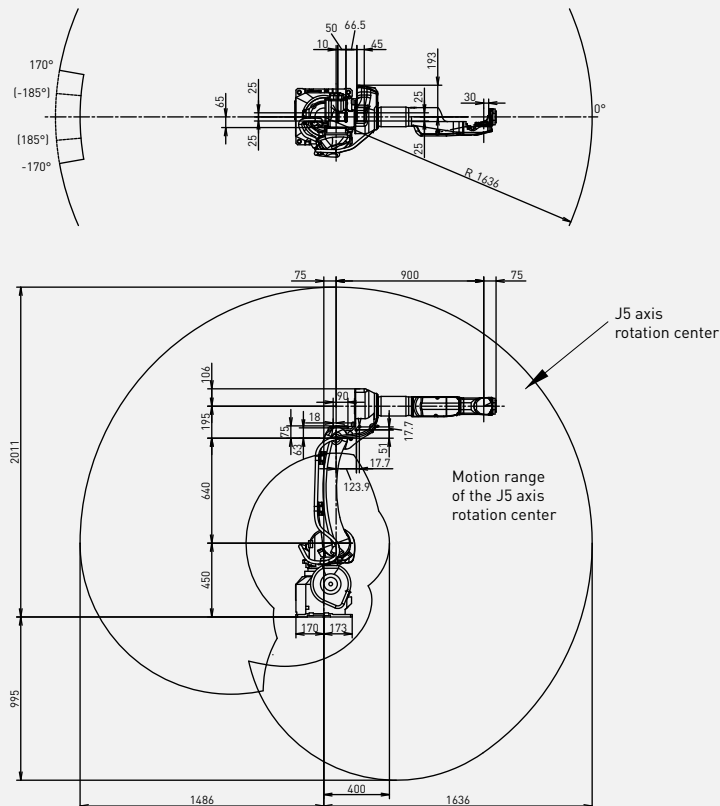
Max. load capacity
at wrist: **10 kg**



Max. reach:
1636 mm

Controlled axes	Repeatability (mm)	Mechanical weight (kg)	Motion range (°)						Maximum speed (°/s)						J4 Moment/Inertia (Nm/kgm ²)	J5 Moment/Inertia (Nm/kgm ²)	J6 Moment/Inertia (Nm/kgm ²)
			J1	J2	J3	J4	J5	J6	J1	J2	J3	J4	J5	J6			
6	± 0.03*	150	340 (370)	235	455	380	280 (360)*21	540 (900)*21	260	240	260	430	450	720	22.0/0.65	22.0/0.65	9.8/0.17

Working range



Motion range may be restricted according to the mounting angle!



Robot

M-10iD/10L

Robot footprint [mm]	343 x 343
Mounting position Floor	●
Mounting position Upside down	●
Mounting position Angle	●



Controller

R-30iB Plus

Open air cabinet	-
Mate cabinet	○
A-cabinet	●
B-cabinet	○
iPendant Touch	●

Electrical connections

Voltage 50/60Hz 3phase [V]	380-575
Voltage 50/60Hz 1phase [V]	-
Average power consumption [kW]	1

Integrated services

Integrated signals on upper arm In/Out	8/8
Integrated air supply	1

Environment

Acoustic noise level [dB]	< 70
Ambient temperature [° C]	0-45

Protection

Body standard/optional	IP54 /IP55
Wrist & J3 arm standard/optional	IP67

* 21) Extended range for external cable type